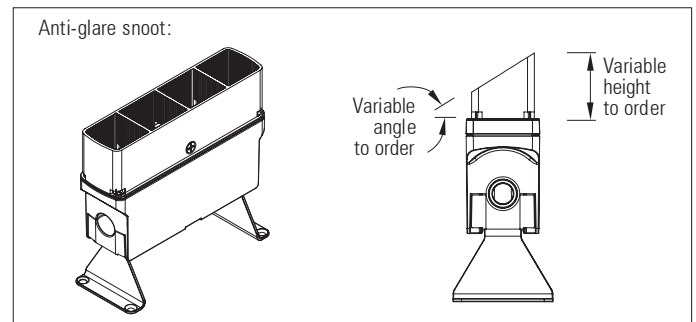
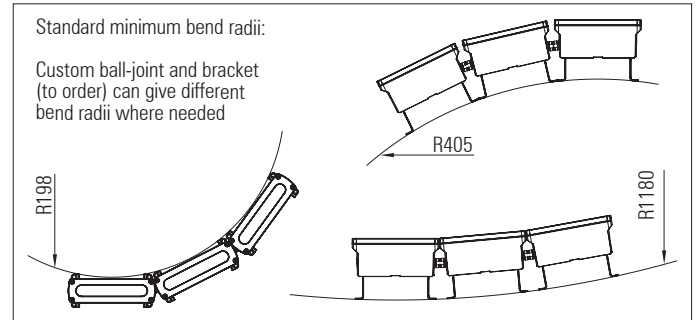
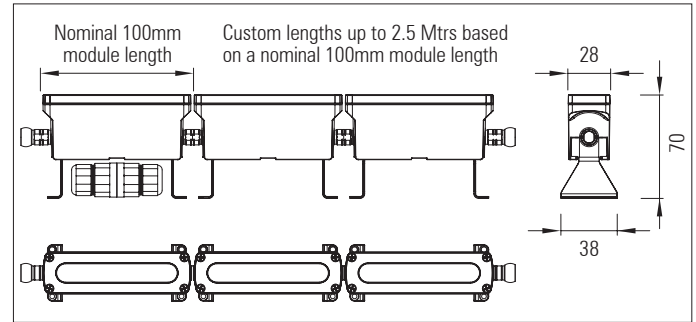


## 3D LED Flex system 25 IP66

8 or 12 x 0.3 Watt medium power LEDs with white reflector per module  
 Modular, 3D flexible LED linear lighting system  
 Raised fixed-angle mounting bracket



### 8 or 12 x 0.3 Watt medium power LEDs with white reflector per module

Modular, 3D flexible LED linear lighting system

#### Product description:

For use in exterior indirect cove lighting applications where the building surfaces are non linear with curved profiles

Each module - 8 or 12 x 0.3 Watt Osram, Samsung or Luminus LEDs

Up to 3.5 Watts per 100mm module. 30 Volt DC supply

High efficiency white reflector

Flexible in 3 dimensions - Articulated ball-joint system between modules

LED pitch is maintained between the modules

Side, back and end power feed and connector options allow for continuous lighting with no dark areas between fixtures. 17.5 Amp IP68 connectors join fixtures together on-site

Integral LV constant current driver

Dimming options available: 1-10V, DMX and DALI. Separate dimming channel

Various LED colour temperature and CRI options available

Satin black, satin white or any RAL paint colour finish

Custom lengths based on a 100 mm module up to 2.5 mtrs

Raised fixed-angle bracket allows for IP68 connectors to fit underneath the modules

Up to 3,700 Lumens per Mtr

Product Code	No. of LEDs per mtr.	IP	Length (mm)	LED Type	Optics (°)	Colour Temp. (K)	CRI	Cover	Bracket Type	Feed	Finish
RAD 3D LED FLEX 25 IP66 0.3W - 8	80 LEDs per Mtr: 25mm pitch	66	100mm	0.3W LEDs:	110°	18=1,800k 22=2,200k 27=2,700k 30=3,000k 35=3,500k 40=4,000k 45=4,500k 50=5,000k Dynamic white Warm dim	80 90	Clear Frosted	Raised fixed-angle bracket	End Back Side	Black White Any RAL-colour
RAD 3D LED FLEX 25 IP66 0.3W - 12	120 LEDs per Mtr: 25mm pitch		-increments of 100mm up to- 2,500mm	Osram Samsung Luminus							